

Bike Wash Station

The Bike Wash Station is a great amenity for cleaning your bicycle designed for indoor and outdoor installation.

This product features bicycle specific cleaning brushes and a High Velocity Low Consumption nozzle which has been developed for efficient cleaning power without damaging the bike and minimising water usage. It also features a vandal proof auto shut off water valve which prevents any further water waste.

Its robust and theft preventing design includes a vandal resistant hose and nozzle with stainless steel fittings, as well as braided steel cables for the brushes making it ideal for installing in public spaces.

Specification

305 x 1830 x 305mm

Laser Cut Steel and CNC machined stainless steel

High security design is suitable for installation in any public setting High Velocity Low Consumption nozzle

Vandal resistant hose and nozzle with stainless steel fittings

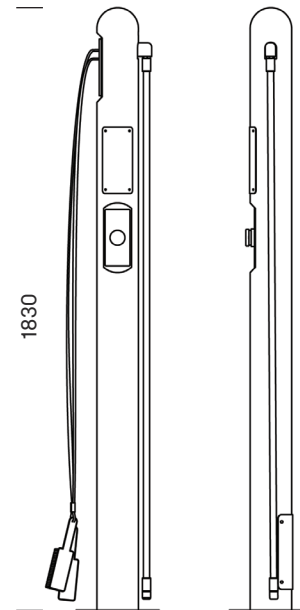
Drivetrain brush, scrubber brush and frame brush

Cleaning brushes attached by braided stainless steel cable to prevent theft

Can be installed by surface mount or embedment

Finish options: Galvanized, Stainless or Powder coated

Optional coin operated timer box



1830

310

